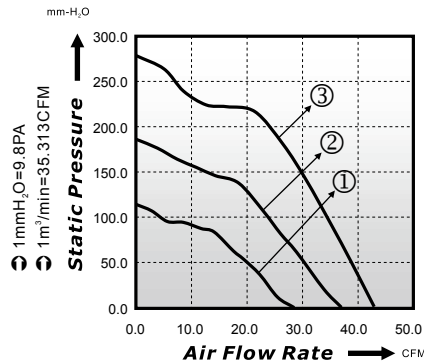


# 40x40x56mm

## ■ Model B

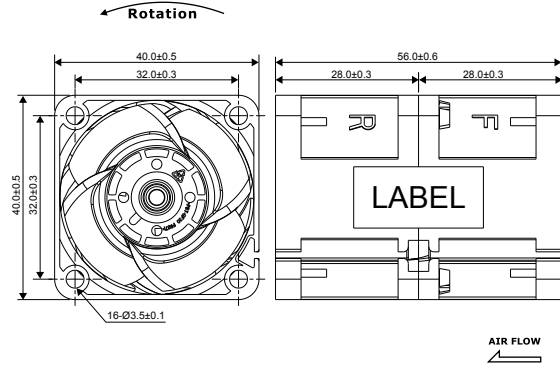


## ■ P-Q Curve (At Rated Voltage)



## ■ Dimensions Drawing

Unit: (mm)



Model No	Bearing (*)	Rated Voltage (VDC)	Rated Current (A)	Power Consumption (Watts)	Speed (rpm)	Air Flow (CFM)	Static Pressure (mmH <sub>2</sub> O)	Noise (dBA)	Curve
ED04056-12LB	●	12	1.80	21.60	22000/24000	28.50	114.2	65.5	1
ED04056-12MB	●	12	3.60	43.20	28000/30000	37.00	186.1	68.5	2
ED04056-12HB	●	12	4.92	59.04	33000/35000	42.90	278.5	78.0	3

\* Bearing Type: ○ Sleeve ● Two Ball ○ Hydro-Dynamic